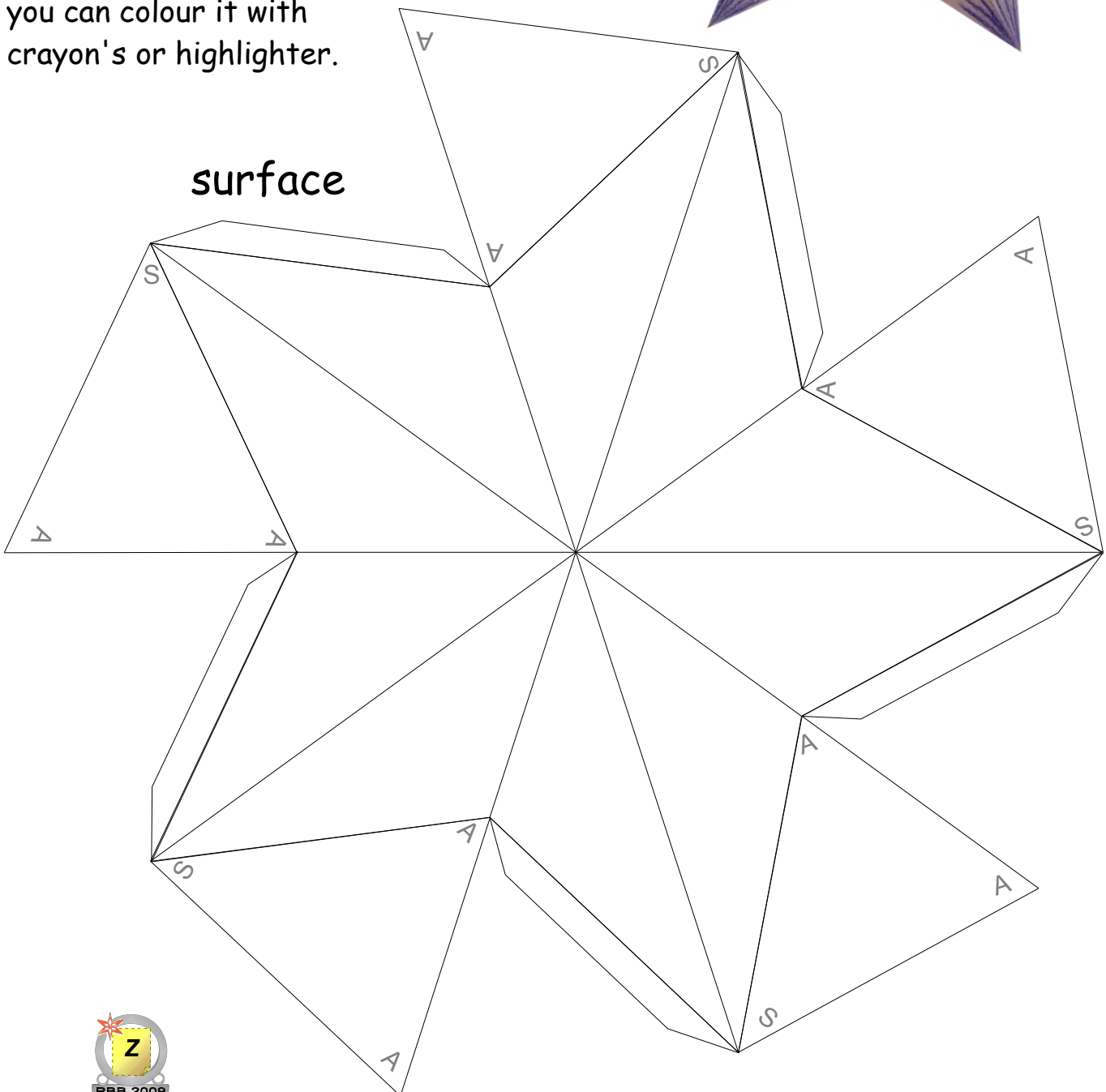
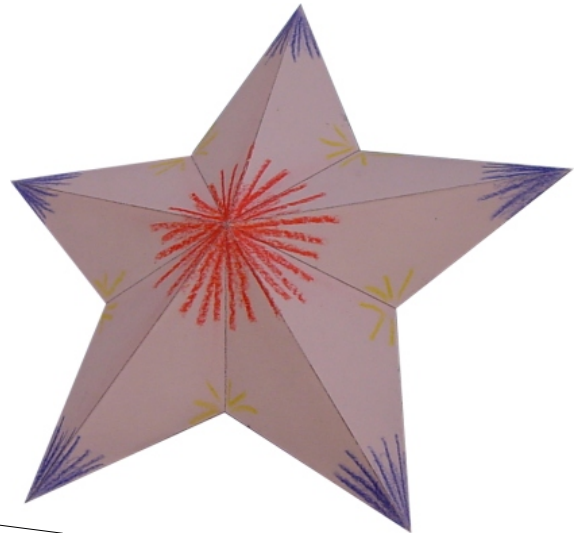


flat star with five points 15,8 cm

Difficulty: medium-easy

Before you glue the surface
you can colour it with
crayon's or highlighter.

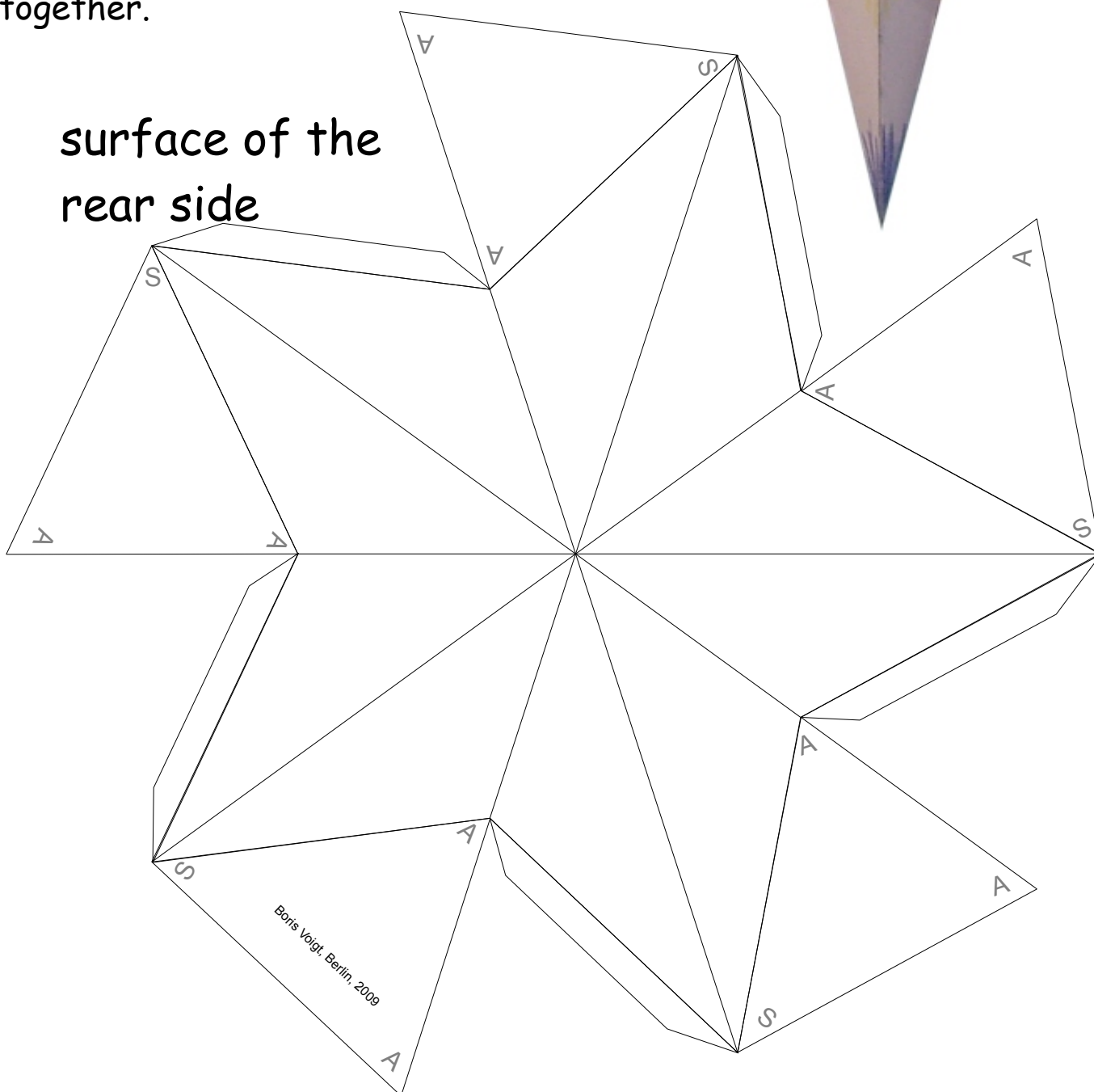


flat star with five points

The second surface is needed for the construction of a double-sided star.
The sides of stability (A-A-S) are glued together.



surface of the rear side



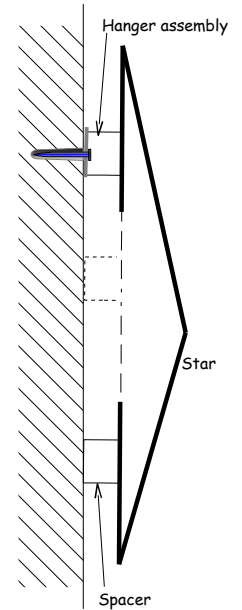
If you create a one-sided star this side is not applicable.
Side 3 is needed as ground area.

paper model No. 935a

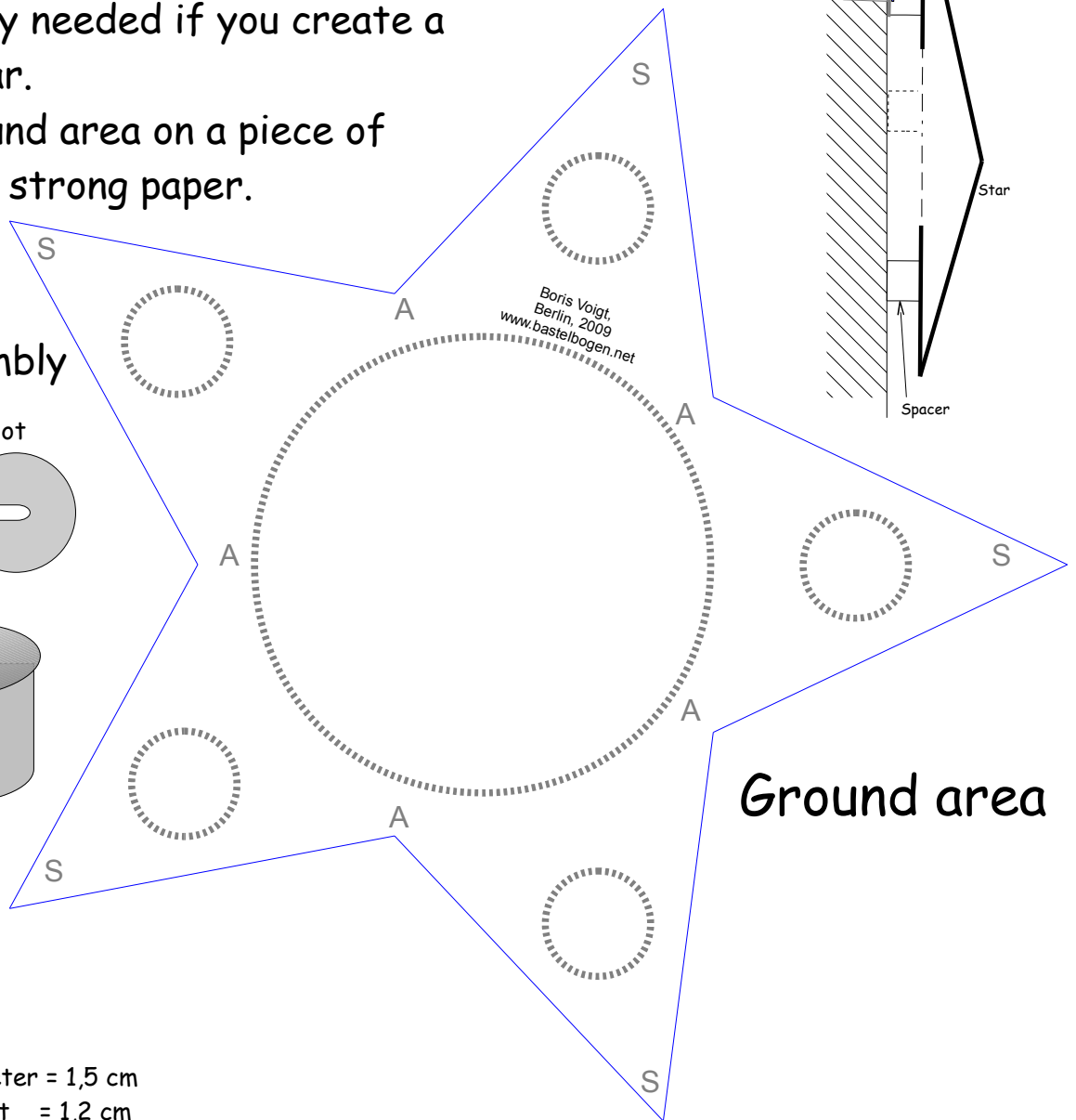
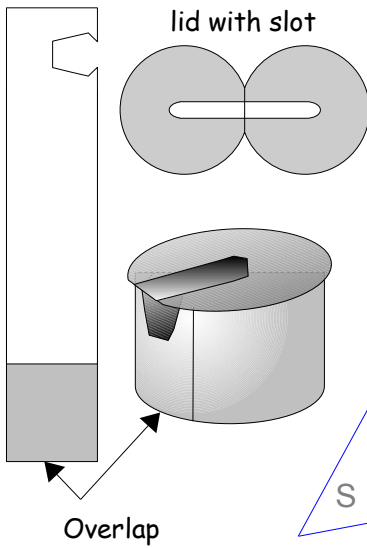
flat star with five points

This side, only needed if you create a one-sided star.

Glue the ground area on a piece of cardboard or strong paper.



Hanger assembly



Spacer

